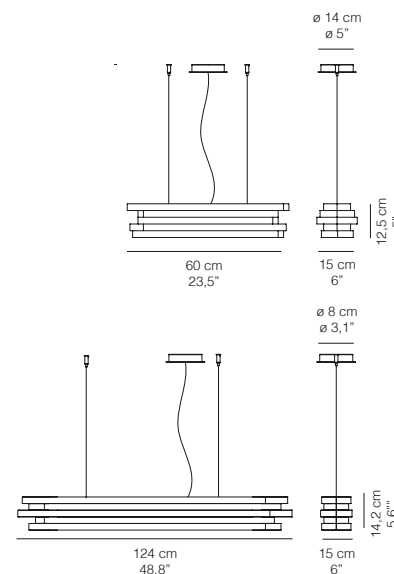


Lampada da sospensione composta da 5 elementi in alluminio verniciato bianco, disposti orizzontalmente ed in modo parallelo. Diffusore in metacrilato opalino.




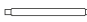
Suspended lamp made up with 5 elements in white painted aluminium, horizontally arranged and parallel to each other. Shade in opaline methacrylate.

Pendelleuchte mit 5 aus weiß lackiertem Aluminium horizontal und parallel angeordneten Elementen. Der Blendschutz ist aus satiniertem Acrylglas.

Suspension composée de 5 éléments en alu laqués en blanc, disposés horizontalement et parallèlement entre eux. Diffuseur en méthacrylate opalin.



ESCAPE / Design Serena Papait

ESCAPE	Sospensione / Suspended		SORGENTI LUMINOSE / LIGHT SOURCES		CERTIFICATIONS
	MISURE / DIMENSIONS		FLUO		  IP 20
	CM.	INCHES			
12SP06FW	60 x 15 x 12,5H	23,5 x 6 x 5H	2x20W-E27 		
12SPWH01	124 x 15 x 14,2H	48,8 x 6 x 5,6H	2x39W-T5 G5 	6200 Lumen	
	COLORI / COLOURS				
	Alluminio verniciato Bianco / White painted aluminium				
	OPZIONI / OPTIONS				
SMT	Sospensione cablaggio lunghezza cavi mt. 5,00 / Suspended with longer cables mt. 5,00				
DIMM	Dimmerabile DALI (12SPWH01) / Dimmable DALI (12SPWH01)				

ESCAPE 124 - 12SPWH01



ESCAPE 60 - 12SP06FW

